

Specification

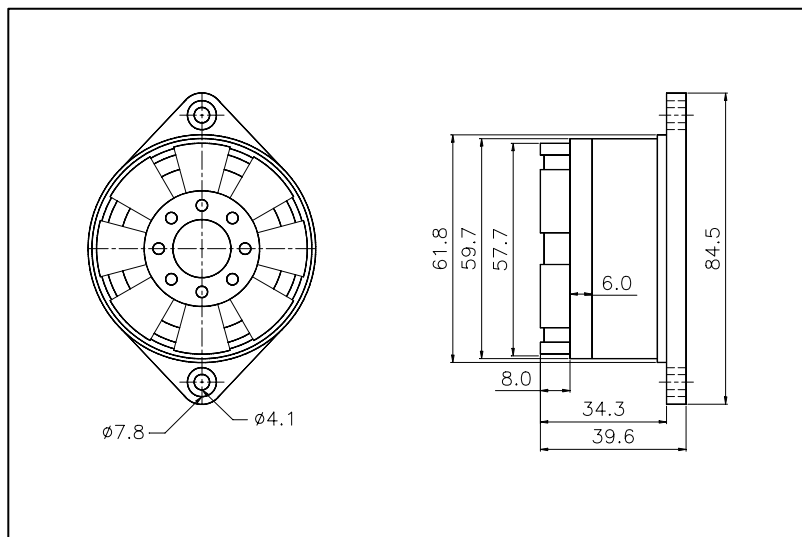
SQ-6038H	Piezo Siren
Resonance Frequency	2.5±0.3Khz
Sound Pressure Level Rated at DC 12 volts @100cm 0dB re 0.0002μbar	110dB min.
Operation Voltage	DC 7-15 volts
Current Drain Rated at DC 12 volts	300 mA
Tone Type*	Sweep from 2-4Khz in 2Hz rate
Case Material	ABS Resin
Mounting Type	Fringe
Color*	Black; Ivory
Operation Temperature	-20 to 60°C
Storage Temperature	-30 to 70°C

All specification taken typical at 25°C

Operation voltage of DC 24/26/48 volts are available upon request.

*Other tone type and color can be arranged upon request.

Dimensions: dimensions are in mm

**Application:**

Burglar alarms
Warning devices
Signaling alarms
Smoke detectors
Swimming pool alarms
Distress signals, etc.

Features:

High efficiency
Micro and compact construction
Waterproof and dust-proof
Light weight
Low cost



S. Square Enterprise Company Limited
Pro-Wave Electronics Corporation

P.O. Box 1-70 Chung Ho, Taiwan; E-mail: sales@pro-wave.com.tw; Tel: 886-2-22465101(5 lines), 22459774; Fax: 886-2-22465105

<http://www.s2.com.tw> ; <http://www.prowave.com.tw>