

Specification

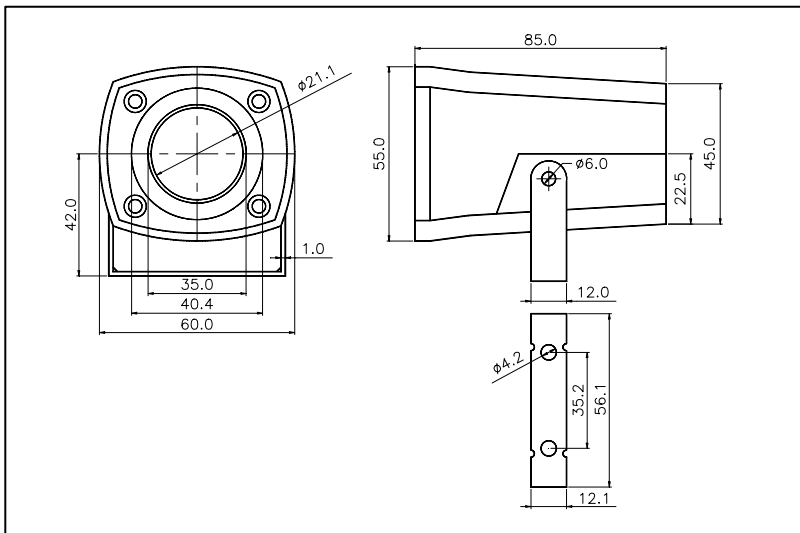
| | |
|---|----------------------------------|
| SQ-6085B | Piezo Siren |
| Resonance Frequency | 2.0±0.3Khz |
| Sound Pressure Level Rated at DC 12 volts @100cm 0dB re 0.0002μbar | 115dB min. |
| Operation Voltage | DC 7-15 volts |
| Current Drain Rated at DC 12 volts | 350 mA |
| Tone Type* | Sweep from 2-4Khz in 2Hz rate |
| Case Material | ABS Resin |
| Mounting Type | Metal Bracket |
| Color* | Black |
| Operation Temperature | -20 to 60°C |
| Storage Temperature | -30 to 70°C |

All specification taken typical at 25°C

Operation voltage of DC 24/26/48 volts are available upon request.

*Other tone type and color can be arranged upon request.

Dimensions: dimensions are in mm

**Application:**

Burglar alarms
Warning devices
Signaling alarms
Smoke detectors
Swimming pool alarms
Distress signals, etc.

Features:

High efficiency
Micro and compact construction
Waterproof and dust-proof
Light weight
Low cost



S. Square Enterprise Company Limited
Pro-Wave Electronics Corporation

P.O. Box 1-70 Chung Ho, Taiwan; E-mail: sales@pro-wave.com.tw; Tel: 886-2-22465101(5 lines), 22459774; Fax: 886-2-22465105

<http://www.s2.com.tw> ; <http://www.prowave.com.tw>